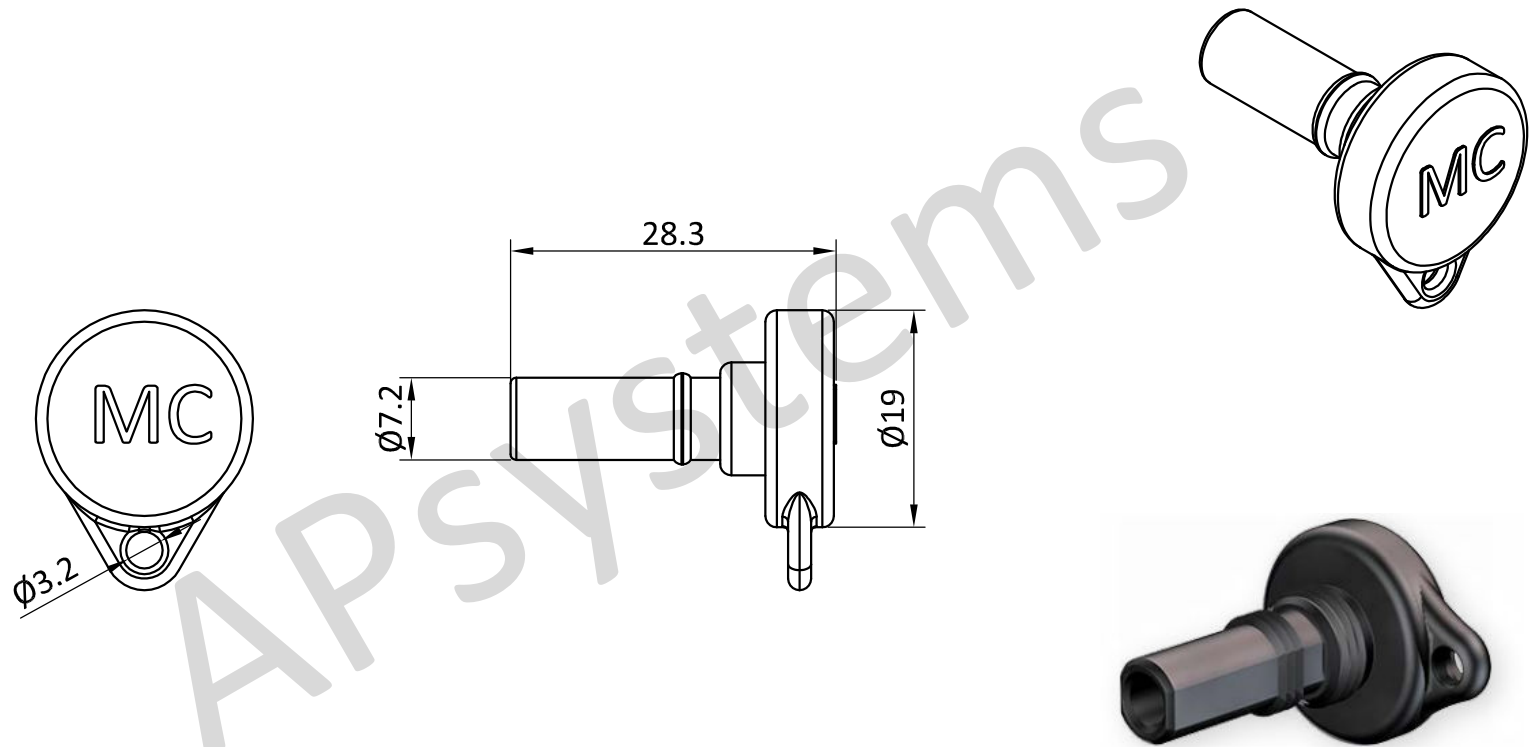



2060401006_DC Male Connector Cap(MC4)

RoHS

CHANGE NO.	CHANGE CONTENTS	REV.	NAME/DATE



- Notes:
1. Type: PV-SVK4;
 2. Degree of protection: IP67;
 3. Use blank cartons for packaging

TOLERANCES UNLESS OTHERWISE SPECIFIED	MATERIAL	 APsystems ALTENERGY POWER
±0.5	TPE	
DWN.	UNIT mm	NAME DC Male Connector Cap (MC4)
CHK.	SHEET -- OF --	DRAWING NO. -
	REV. 0.0	